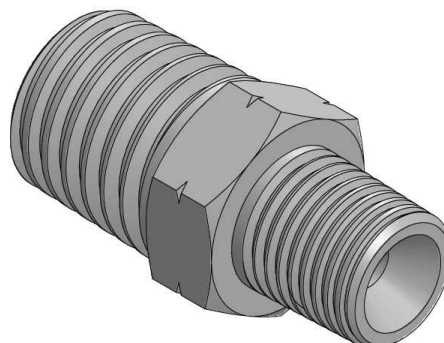
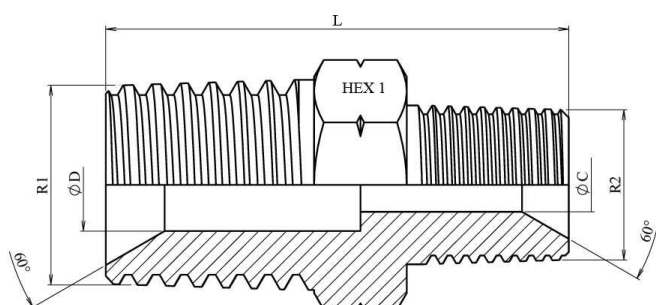


Adaptadores NPT

Uniones rectas macho-macho

## Reductor macho - macho NPT

Acero Inoxidable AISI 316-L



Artículo	R1	R2	L	HEX 1	ØC	ØD
<b>ZN10150402</b>	1/4" NPT	1/8" NPT	30	14	6	4
<b>ZN10150602</b>	3/8" NPT	1/8" NPT	31,5	14	8	3.5
<b>ZN10150604</b>	3/8" NPT	1/4" NPT	34,5	19	8	6
<b>ZN10150804</b>	1/2" NPT	1/4" NPT	39,5	22	11	6
<b>ZN10150806</b>	1/2" NPT	3/8" NPT	40	22	11	8
<b>ZN10151206</b>	3/4" NPT	3/8" NPT	43,5	27	-9	17
<b>ZN10151208</b>	3/4" NPT	1/2" NPT	46,5	27	16	11
<b>ZN10151608</b>	1" NPT	1/2" NPT	52,5	36	22	11
<b>ZN10151612</b>	1" NPT	3/4" NPT	54	36	22	16
<b>ZN10152016</b>	1" 1/4 NPT	1" NPT	60	46	28,5	22
<b>ZN10152416</b>	1" 1/2 NPT	1" NPT	62	50	33	22
<b>ZN10152420</b>	1" 1/2 NPT	1" 1/4 NPT	64	50	33	26